



Model: **LVR-184-PVDG**

SPECIFICATION FEATURES

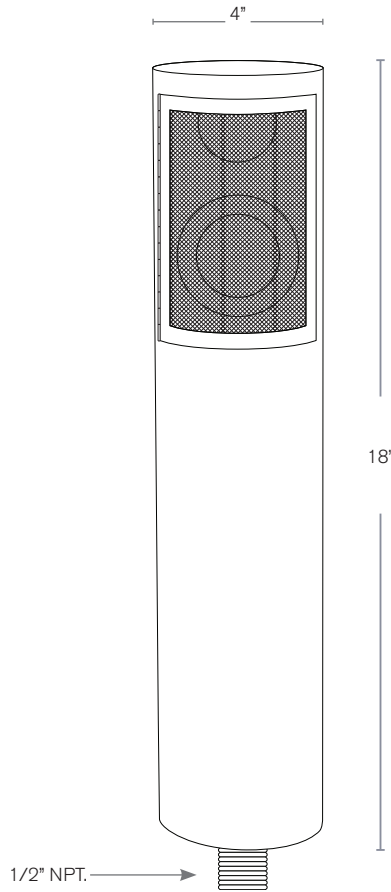
Finish: Our naturally etched finishes will withstand the test of time. All finishes are individually treated insuring consistency. Our meticulous application results in a fixture that truly becomes "a one of a kind".

**Solid Brass & Copper
Outdoor Weatherproof Speakers**

DESCRIPTION

- Model#:** LVR-184-PVDG
- Material:** Solid Brass
- Finish:** PVD Graphite
- Amplifier:** 50 watts
- Impedance:** 4 ohms or 8 ohms
- Mounting:** 1/2" NPT.
LV-PM17 Perma
Post Recommended

All speakers can be done as 70V with a transformer



Wet Listed

ORDERING INFORMATION

Model#	Finishes	Impedance
LVR-184-PVDG	PVDG	4 OHMS
	MBR = Matte Bronze PVDS = PVD Satin RC = Raw Copper SB = Satin Brass BLK = Black PVDG = PVD Graphite	4 ohms 8 ohms